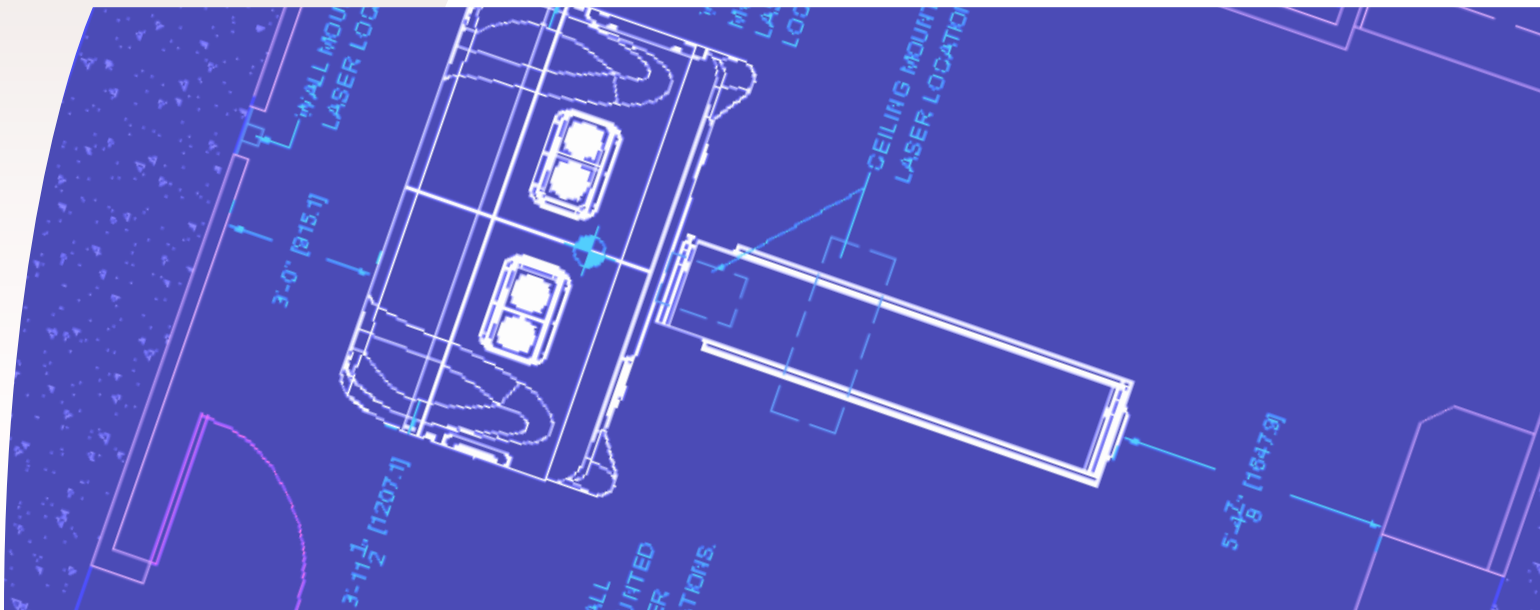


Site Planning & Installation

Advantages beyond technology



The Space Advantage

- Renovation: The TomoTherapy® Hi-Art System® can be installed in most typical vault layouts, whether designed for cobalt or 6 MV linear accelerators.
- New Construction: The *TomoTherapy Hi-Art System* facility requirements offer ease of construction for new vaults.

The Cost Advantage

- The *Hi-Art System's* integrated design makes installation straightforward and streamlined, saving time and money. Unlike other IMRT technology, the *Hi-Art System* requires no chilled water supply and few conduits.
- Our comprehensive advanced planning services help avoid hidden costs.

